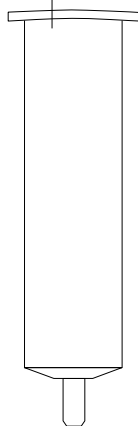
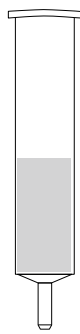
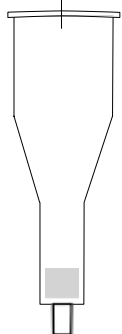


© Large Size Cartridge

10 mL reservoir used with samples up to 10 mL. Adaptor not required.

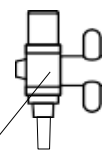
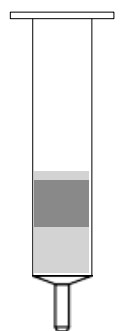
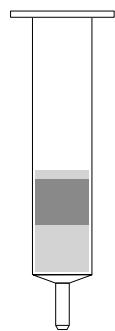
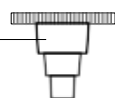
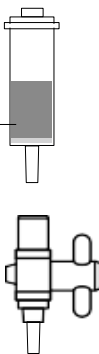


Ⓑ Reservoir with adaptor

Ideal for use in the pretreatment of food. Useful when using a cleanup volume of 20 mL approx.

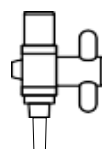
Ⓓ Luer Device Cartridge

Used for connecting a solid phase cartridge, connecting an empty reservoir or connection to a automatically instrument for solid phase extraction.



Ⓔ Connecting adaptor for InertSep

Used to connect a syringe barrel type regular cartridge to another luer device.



⑩ 5010-60010

Luer Stop Valve (PTFE)

Used to control or stop the flow rate during solid phase extraction.

② 5010-50238 Cover assembly

Fit onto the glass chamber to perform solid phase extraction.

③ Safety valve

Used to prevent excessive applied vacuum breaking the glass chamber.

⑥ 5010-50016 Sealing plug

Need to plug any line not being used.

④ 5010-50014 Vacuum gauge

Display the level of vacuum in the glass chamber.

④ 5010-50015 Bleed valve

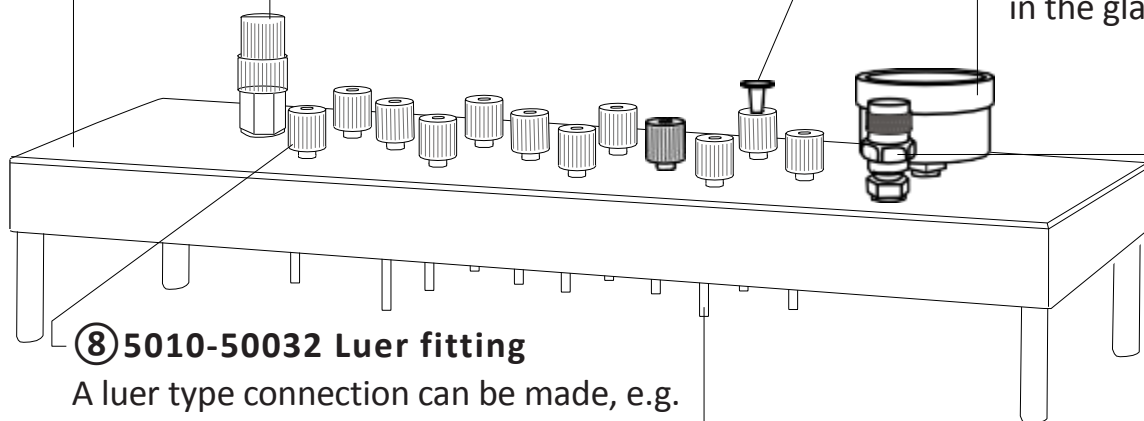
Used to adjust the amount of vacuum applied. Adjust while monitoring the pressure displayed on the vacuum gauge.

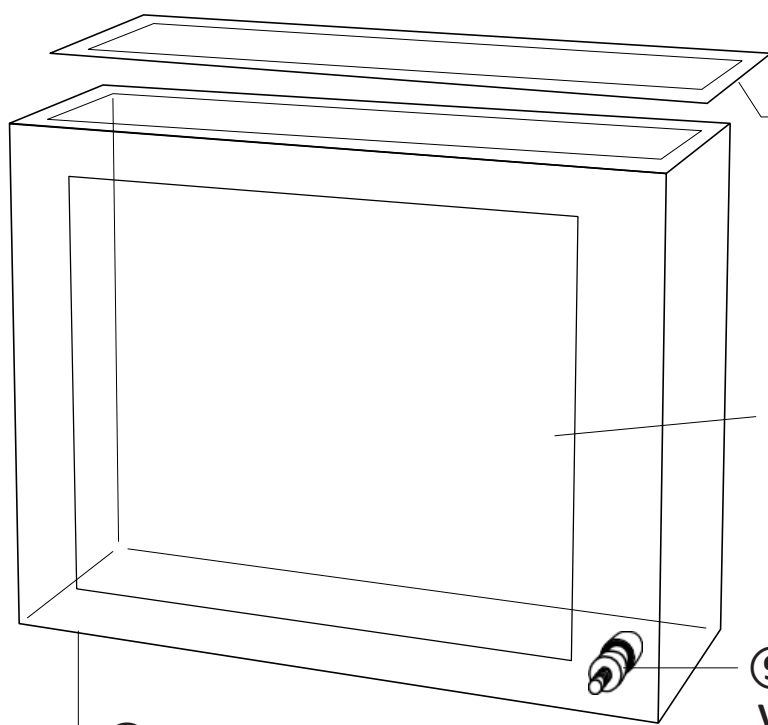
⑧ 5010-50032 Luer fitting

A luer type connection can be made, e.g. with a solid phase cartridge or filter disk. Also used to connect the delivery tips to the cover.

⑦ 5010-50019, 5010-50020 Delivery Tips

The standard delivery tip is manufactured from stainless steel (5010-50019). When correction resistance is required, use the PTFE type (5010-50020).



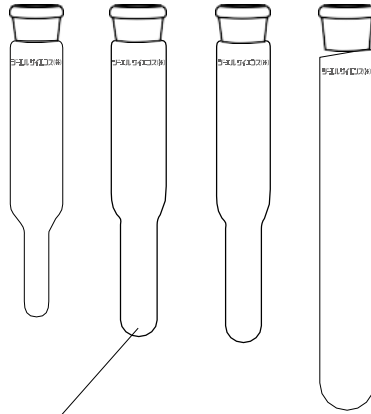


③ 5010-50239 Gasket
Used to seal the cover assembly and the glass chamber to maintain vacuum.

⑫ 5010-50041
Glass protection film

⑨ 5010-50033
Vacuum tube connector assembly
Used to connect the glass chamber to the vacuum pump.

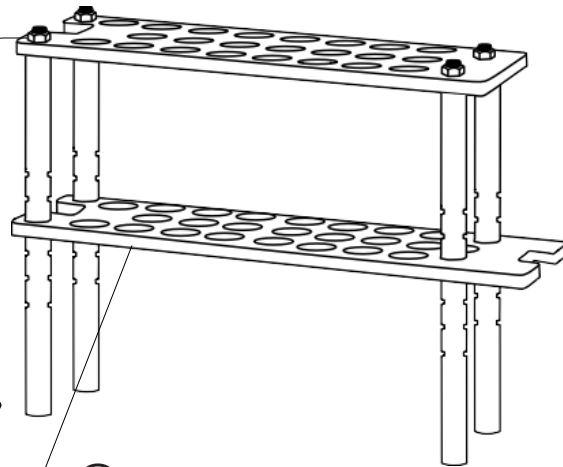
⑧ 5010-50032 Luer fitting
A luer type connection can be made, e.g. with a solid phase cartridge or filter disk. Also used to connect the delivery tips to the cover.



Ⓕ 5010-51010 etc, GL-SPE Concentration tubes

There are 11 different sizes. Select, depending on the volume of the extraction solvent and concentration volume.

- Ⓖ 5010-50018 Stainless steel nut for rack
- 5010-50129 Resin nut for rack
- Ⓖ 5010-50017 O-ring for rack
- 5010-50128 Resin clip for rack



Ⓖ 5010-50240 e.t.c. Racks

There 5 type of racks: 12/16 mm test tube, 20 mL concentration tube, 30 mL concentration tube, TS29/38 eggplant shaped flask, TS 29/38 Florence flask 50/100 mL.