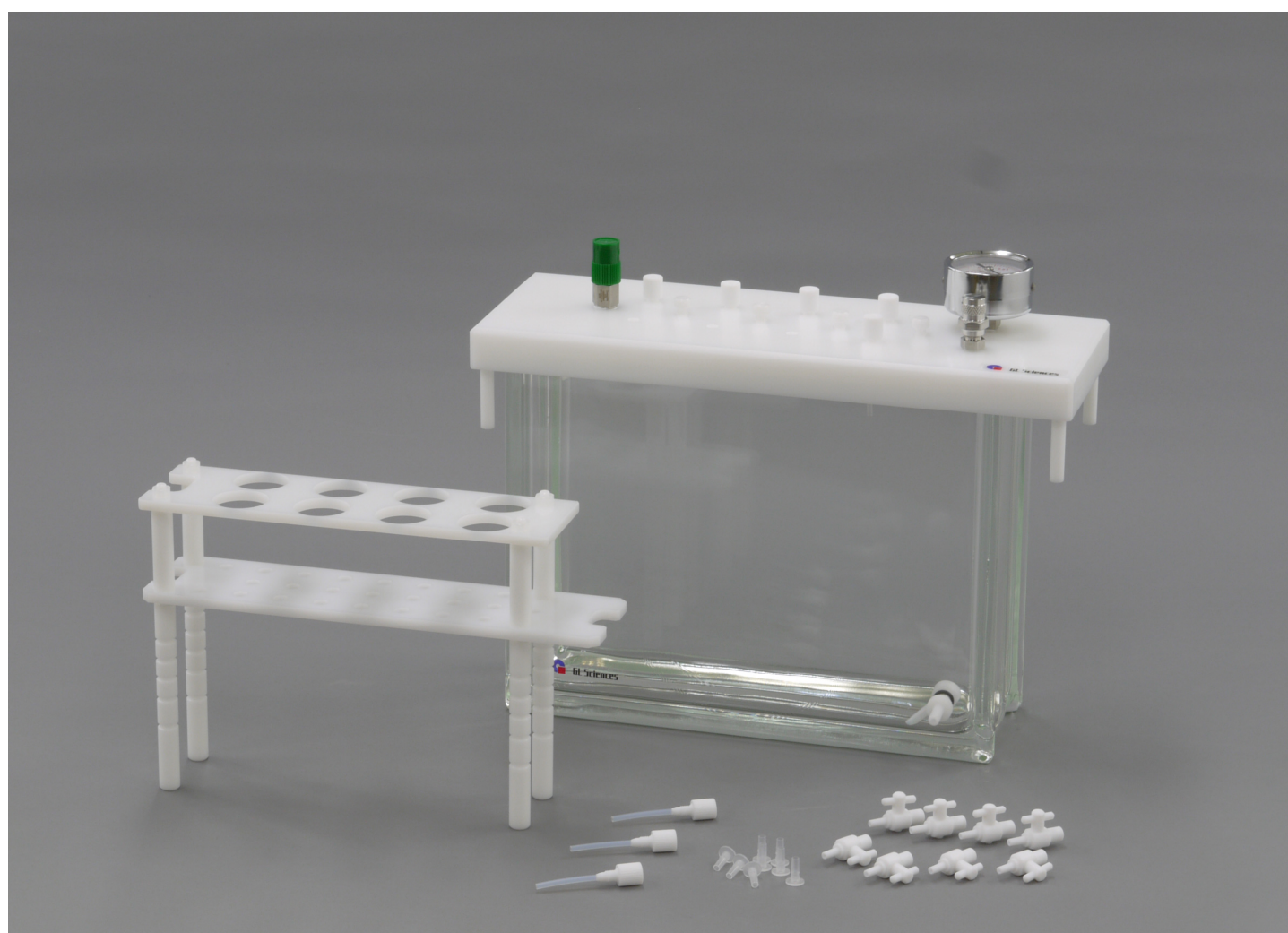


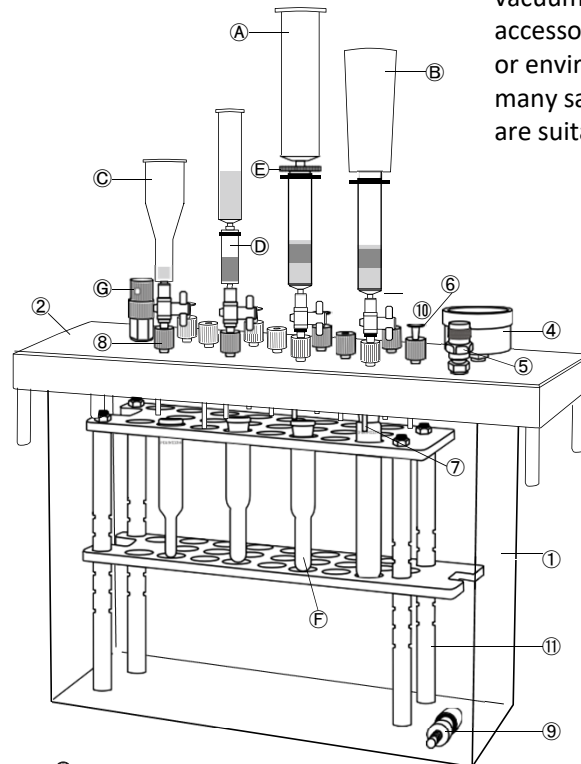


InertSep Vacuum Manifold



InertSep Vacuum Manifold

For the efficient SPE analysis using InertSep vacuum manifold system, necessary accessories are provided as a kit for general or environmental analysis which needed many samples such as river water. Some kits are suitable for your analytical purposes.



② 5010-50238 Cover Assembly

Fit onto the glass chamber to perform solid phase extraction.

③ Safety valve

Used to prevent excessive applied vacuum breaking the glass chamber.

⑥ 5010-50016 Sealing plug

Need to plug any line not being used.

④ 5010-50014 Vacuum gauge

Display the level of vacuum in the glass chamber.

⑤ 5010-50015 Bleed valve

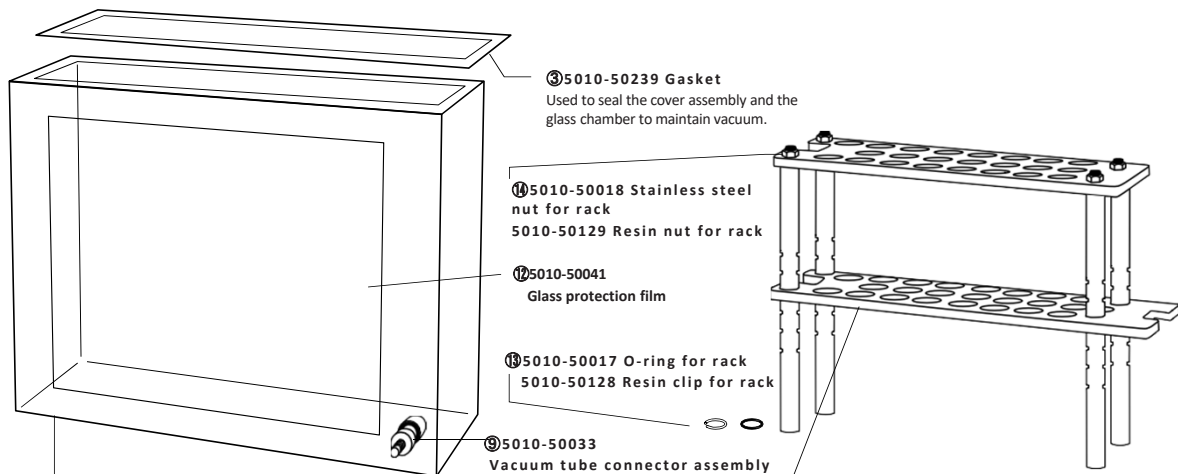
Used to adjust the amount of vacuum applied. Adjust while monitoring the pressure displayed on the vacuum gauge.

⑧ 5010-50032 Luer fitting

A luer type connection can be made, e.g. with a solid phase cartridge or filter disk. Also used to connect the delivery tips to the cover.

⑦ 5010-50019, 5010-50020 Delivery Tips

The standard delivery tip is manufactured from stainless steel (5010-50019). When correction resistance is required, use the PTFE type (5010-50020).



③ 5010-50239 Gasket

Used to seal the cover assembly and the glass chamber to maintain vacuum.

⑩ 5010-50018 Stainless steel nut for rack

5010-50129 Resin nut for rack

⑩ 5010-50041

Glass protection film

⑪ 5010-50017 O-ring for rack

5010-50128 Resin clip for rack

⑨ 5010-50033

Vacuum tube connector assembly

Used to connect the glass chamber to the vacuum pump.

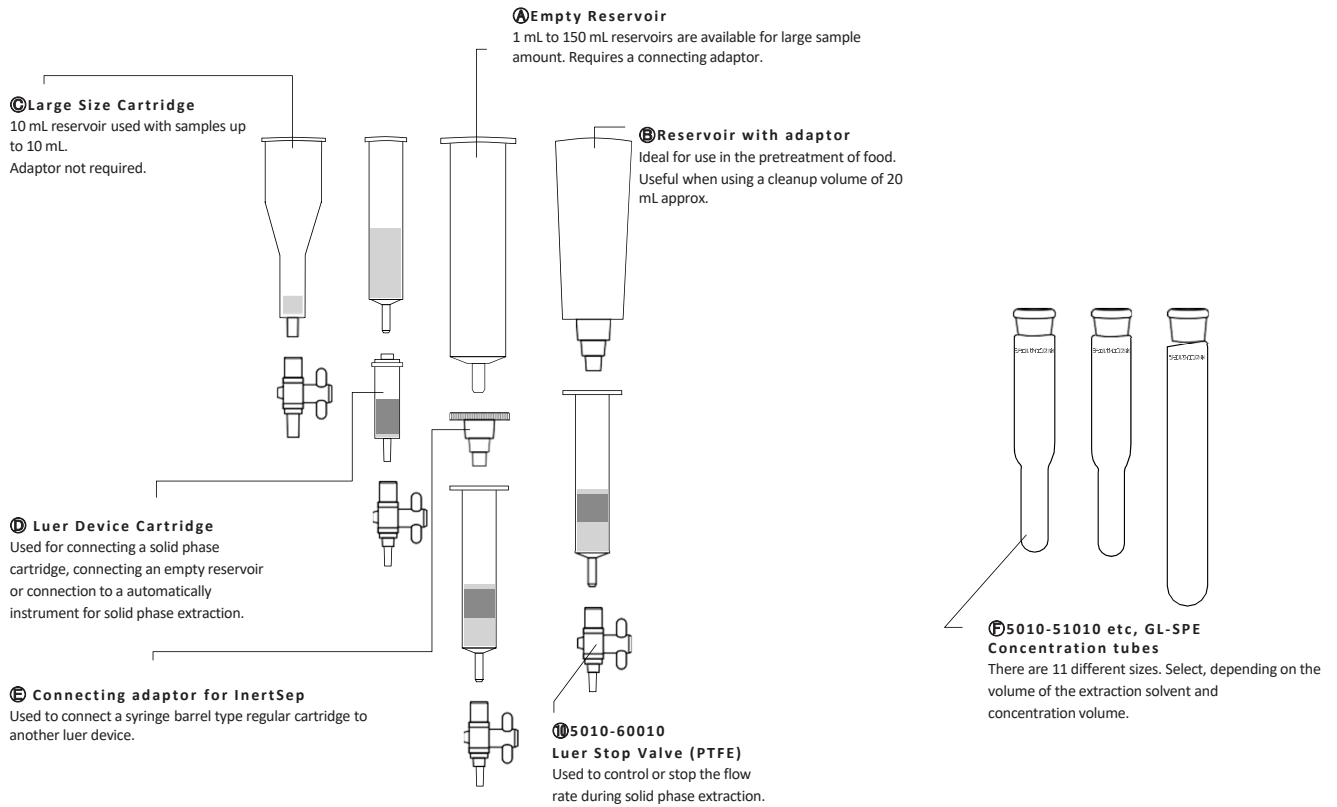
⑪ 5010-50240 e.t.c. Racks

There 5 type of racks: 12/16 mm test tube, 20 mL concentration tube, 30 mL concentration tube, TS29/38 eggplant shaped flask, TS 29/38 Florence flask 50/100 mL.

① 5010-50237 Glass Chamber

For extraction using a diaphragm suction pump, it is resistant to pressure. Stainless bats (5010-50122) are also available.

For the efficient SPE analysis using InertSep vacuum manifold system, necessary accessories are provided as a kit for general or environmental analysis which needed many samples such as river water. Some kits are suitable for your analytical purposes.



<Kit Contents>

- Glass Chamber: 1 pc
- Vacuum Gauge: 1 pc
- Plug : 12 pcs
- Luer Fitting: 12 pcs
- PTFE Delivery Tip: 12 pcs
- 12 mm Waste Liquid Funnel : 12 pcs
- Cover: 1 pc
- Gasket : 1 pc
- Bleed Valve : 1 pc
- Safety Valve: 1 pc
- Cartridge Adaptor : 12 pcs
- Stainless Delivery Tip : 12 pcs
- 12/16 mm Rack : 1 pc
- 16mm waste liquid funnel: 12 pcs

Description	Qty.	Cat.No.
Inertsep Vacuum Manifold Kit	1/pk	5010-50230

Related Products



GL-SPE Gravity Flow Manifold
(for general analysis, aluminum)



Luer Stop Valve (PTFE)

Description	Qty.	Cat.No.
GL-SPE Gravity Flow Manifold	1 pc	5010-50430

Description	Size	Qty.	Cat.No.
Lure Stop Valve	Common	12 pcs	5010-60010



Description	Qty.	Cat.No.
SPE Cartridge Adaptor for 1,3,6mL (PP)	12 pcs	5010-60000
SPE Cartridge Adaptor for 12,20mL (PP)	12 pcs	5010-60001
SPE Cartridge Adaptor for 60mL (PP)	12 pcs	5010-60002
SPE Cartridge LSC Adaptor (PP)	12 pcs	5010-60004



Concentration Tube & Test Tube for InertSep / GL-SPE Vacuum Manifold

Description	Volume	Plug	Cat.No.
Spitz Tube with Stopper and Scale 12mm	6 (6.5) mL	Co-Stoppered	5010-51001
Spitz Tube with Stopper and Scale 16mm	14 (15) mL	Co-Stoppered	5010-51002
GL-SPE Concentration Tube 1mL Female/7mL	6 (7) mL	Co-Stoppered	5010-51010
GL-SPE Concentration Tube 0.5mL&1.0mL Graduated 7mL	6(7)mL	Co-Stoppered	5010-51011
GL-SPE Concentration Tube 0.5mL &1.0mL/7mL Clear Taper	6(7)mL	Tapered	5010-51013

GL Sciences disclaims any and all responsibility for any injury or damage which may be caused by this data directly or indirectly. We reserve the right to amend this information or data at any time and without any prior announcement.

GL Sciences, Inc. Japan
22-1 Nishishinjuku 6-Chome
Shinjuku-ku, Tokyo,
163-1130, Japan
Phone: +81-3-5323-6620
Fax: +81-3-5323-6621
Email: world@glsc.co.jp
Web: www.glsciences.com

GL Sciences B.V.
De Sleutel 9
5652 AS Eindhoven
The Netherlands
Phone: +31 (0)40 254 95 31
Email: info@glsciences.eu
Web: www.glsciences.eu

GL Sciences, Inc. USA
4733 Torrance Blvd. Suite 255
Torrance, CA 90503
Phone: 310-265-4424
Fax: 310-265-4425
Email: info@glsciencesinc.com
Web: www.glsciencesinc.com

GL Sciences (ShangHai) Ltd.
Tower B, Room 2003,
Far East International Plaza,
NO,317 Xianxia Road,
Changning District.
Shanghai, China P.C. 200032
Phone: +86 (0)21-6278-2272
Email: contact@glsciences.com.cn
Web: www.glsciences.com.cn

International Distributors

Visit our Website at www.glsciences.com/distributors

